

Zenox Vertical Multistage Pressure Pump



- High head, large flow applications
- Water supply for home and garden – silent alternative to surface pressure system
- Feeding drippers from treatment chambers
- Pressure boosting

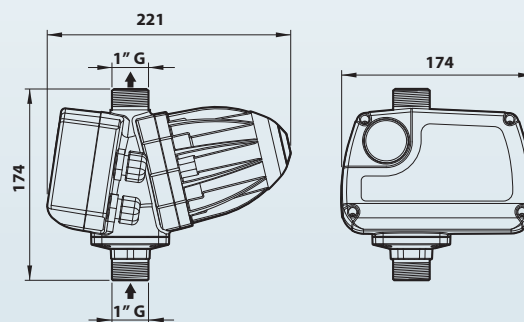
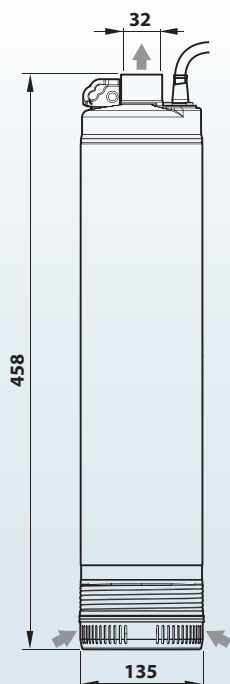
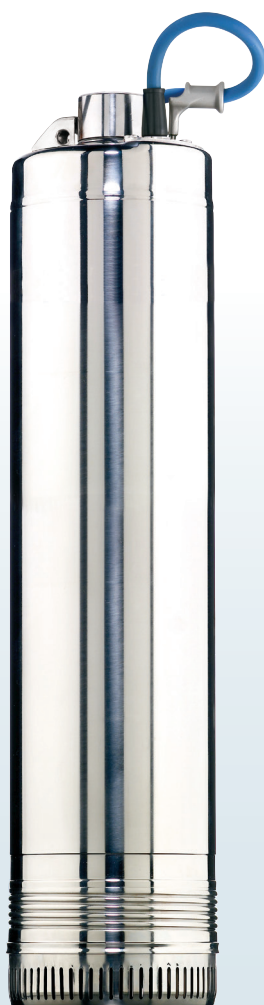
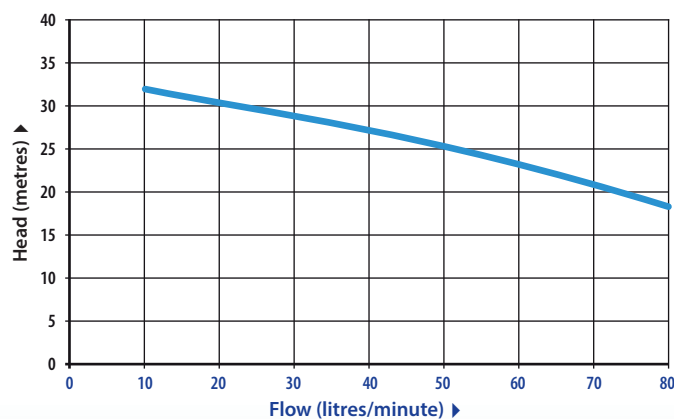
SPECIFICATION:

- 33 metres max head
- 80 litres per minute max flow rate
- 0.37 kW, 240 volt motor
- 32 mm vertical discharge
- Weight 14 kg
- 20 metre DRINCABLE® for permanent immersion in drinking water

FEATURES:

- Stainless steel AISI 304 pump body and motor sleeve
- Noryl FE1520PW impeller
- Stainless steel AISI 304 diaphragms complete with anti-wear ring
- Mech seal, silicon carbide – graphite – NBR
- Thermal overload protection
- Up to 20 metres maximum immersion depth
- Can be supplied complete with pre-wired, heavy-duty electronic controller

PUMP PERFORMANCE:



Zenox Pumps

Zenox Pumps reserves the right to change product specifications

