

## Grundfos Stainless Steel Circulating Pump



- Stainless steel in-line circulator pump
- Suited to domestic or commercial applications
- Suitable for circulating hot or cold water in open or closed systems
- High quality stainless steel and cast iron construction

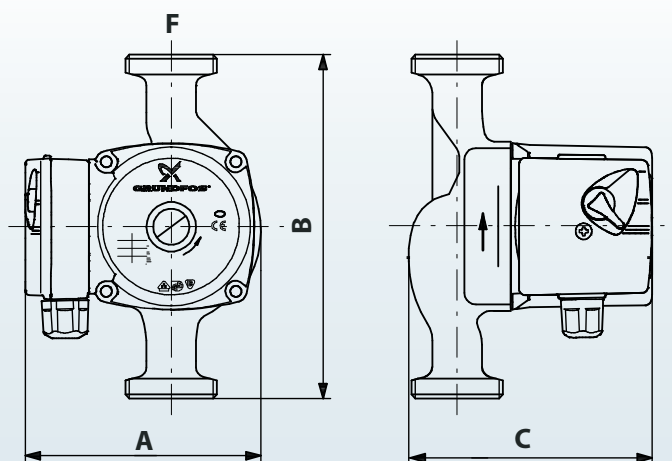
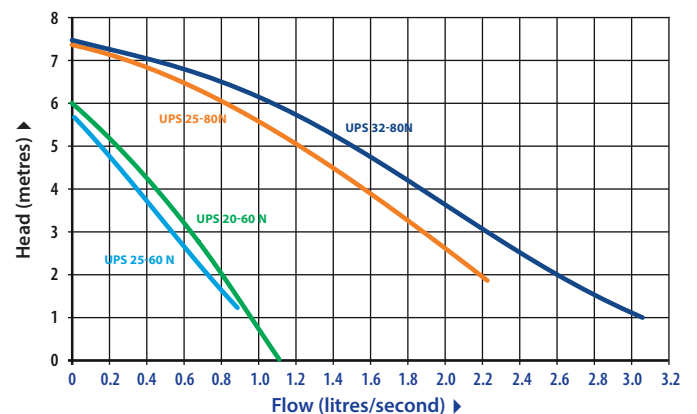
### FEATURES:

- Canned rotor type motor
- Variable power setting – 3 speed
- Quiet, efficient operation
- Unions and valve union sets available
- Single or dual circulation packages available complete with timer or thermostat control
- Stainless Steel body for potable water applications (AS/NZ 4020 compliant)

### SPECIFICATIONS:

Model	Voltage	Pipe Connection	Max Head	Dimensions		
				A	B	C
UPS 20-60 N	240	20mm F	6 m	126	150	130
UPS 25-60 N	240	25mm F	5.7 m	126	180	134
UPS 25-80 N	240	25mm F	7.3 m	147	180	171
UPS 32-80 N	240	32mm F	7.4 m	147	180	173

### PUMP PERFORMANCE:



Zenox Pumps

Zenox Pumps reserves the right to change product specifications

