

## Zenox Diaphragm Pump



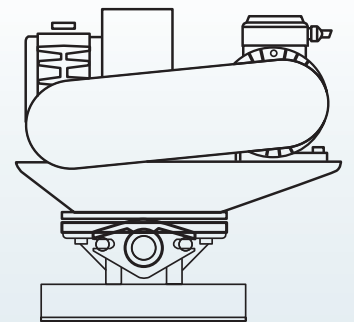
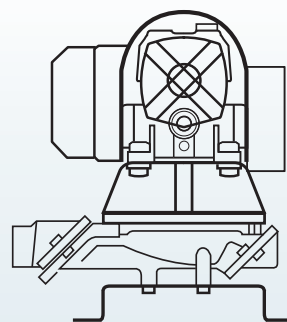
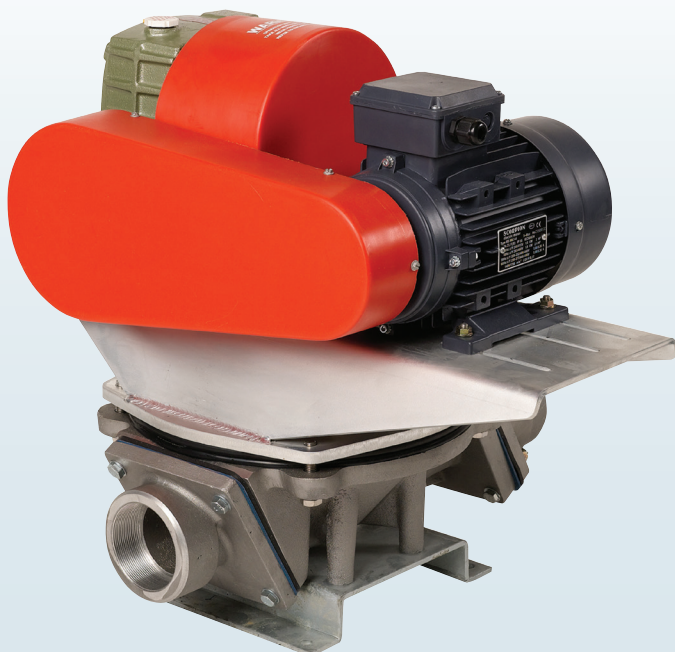
- Oil water separators
- Excavation dewatering
- Industrial wastes
- Machine sumps
- Waste treatment plants

### FEATURES:

- Suction lift to 7.5 metres
- Rapid self priming
- Will run dry without damage
- Will operate on snore
- Will handle abrasive liquids
- Will pass solids of up to 80% of port size
- Heavy duty construction – Made in Australia
- Exe spark-proof motors available upon request

### SPECIFICATION:

Model	Outlet Size	Nominal Flow rate	Suction Lift	Discharge Head	Solid Size	Motor Size	Weight	Dimensions W x D x H
<b>ZDP-250</b>	25 mm	25 L/min	7.5 m	6.0 m	15 mm	0.37 kW	25 kg	395 x 270 x 380 mm
<b>ZDP-320</b>	32 mm	33 L/min	7.5 m	6.0 m	20 mm	0.37 kW	30 kg	400 x 275 x 410 mm
<b>ZDP-380</b>	38 mm	50 L/min	7.5 m	6.0 m	25 mm	0.75 kW	42 kg	445 x 305 x 480 mm
<b>ZDP-500</b>	50 mm	100 L/min	7.5 m	6.0 m	35 mm	1.1 kW	55 kg	475 x 360 x 530 mm
<b>ZDP-760</b>	76 mm	210 L/min	7.5 m	6.0 m	50 mm	1.5 kW	72 kg	605 x 365 x 590 mm



Zenox Pumps

Zenox Pumps reserves the right to change product specifications

