

Zenox Hydraulic Rain/Mains Changeover System

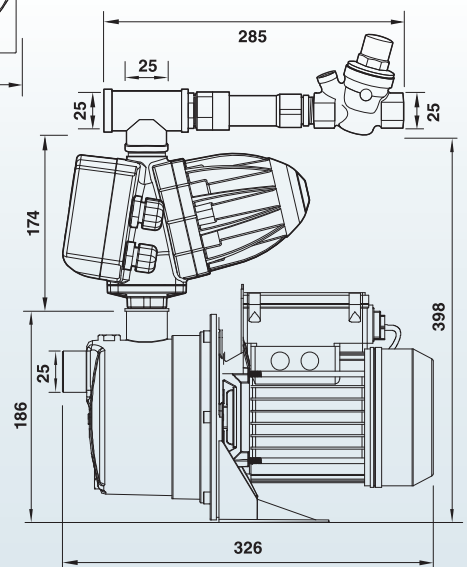
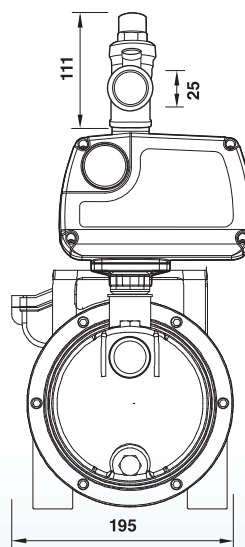
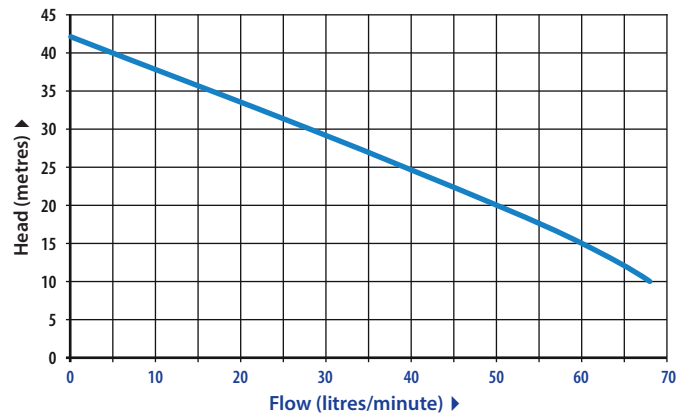


- Rain/mains system for toilet and laundry
- Flooded suction applications only
- Pump specifications - see page 4

FEATURES:

- Fast installation - no float required
- Doesn't require regular maintenance
- Automatic changeover to mains in the event of power failure
- Smart leak detection - pump controller prevents consistent cycling

PUMP PERFORMANCE:



Zenox Pumps

Zenox Pumps reserves the right to change product specifications

