

Zenox Submersible Vortex Pumps



- Robust, dirty water pumps
- Drainage of water containing suspended solids
- Emptying of sumps and tanks

Three Models Available:

ZSV-015-1A 240 volt, 0.15 kW, Automatic

ZSV-040-1 240 volt, 0.40 kW, Manual

ZSV-040-1A 240 volt, 0.40 kW, Automatic

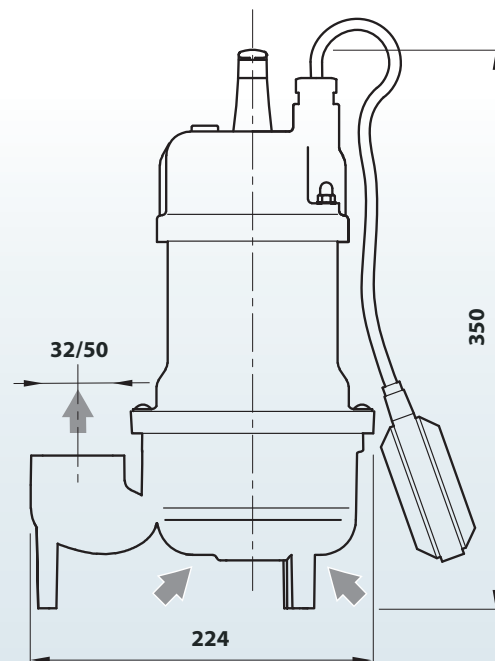
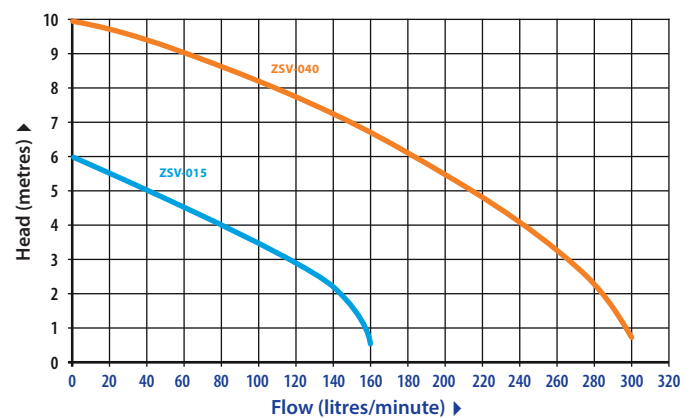
SPECIFICATION:

- 6/10 metres max head
- 160/300 litres per minute max flow rate
- 0.15/0.40 kW, 240 volt motor
- 32/50 mm vertical discharge
- Weight 7.3/12 kg
- 10 metre cable H07 RN-F

FEATURES:

- Stainless steel/cast iron industrial construction
- Thermal overload protection
- Cast iron impeller
- Passage of solid bodies up to 10/30 mm

PUMP PERFORMANCE:



Zenox Pumps

Zenox Pumps reserves the right to change product specifications

