

Zenox Self Priming Jet Pump



- Commercial, Industrial and Domestic use
- Water supply for home and garden
- Pumping from tanks
- Rated for continuous service
- Very quiet and efficient

Three Models Available:

ZSW-110-1 240 volt, 1.1kW, Automatic

ZSW-150-1 240 volt, 1.5kW, Automatic

ZSW-150-3 415 volt, 1.5kW, Automatic

SPECIFICATION:

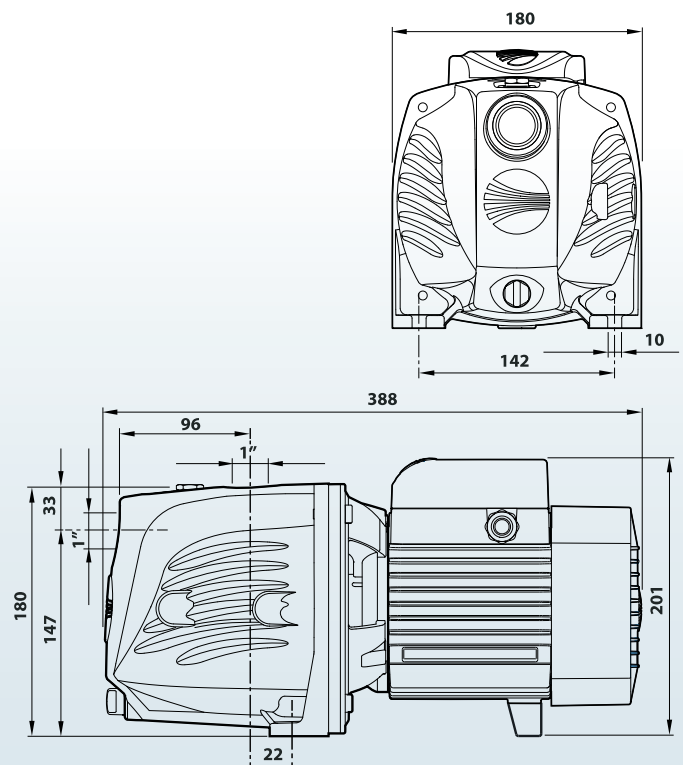
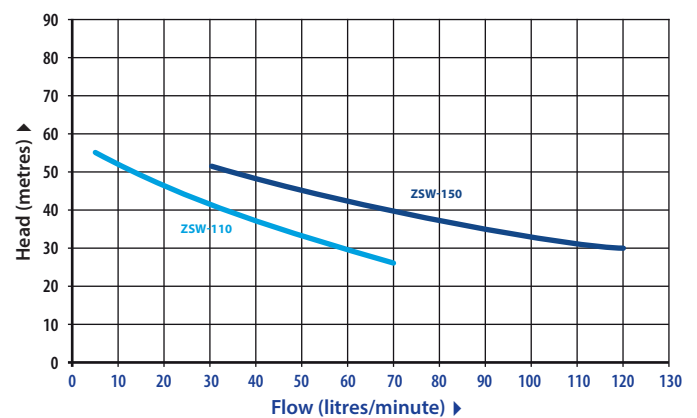
- 60 metres max head
- 120 Litres per minute max flow rate
- 1.1/1.5 kW, 240/415 volt
- 25/32 mm inlet
- 25 mm outlet
- Weight 14.2/26.5 kg

FEATURES:

- Cast iron pump body
- Brass impeller
- Mech seal, graphite – ceramic – NBR
- Self-priming

- Run dry protection
- Quiet running, very reliable and low power consumption
- Optional heavy duty electronic controller with built in pressure gauge

PUMP PERFORMANCE:



Zenox Pumps

Zenox Pumps reserves the right to change product specifications

